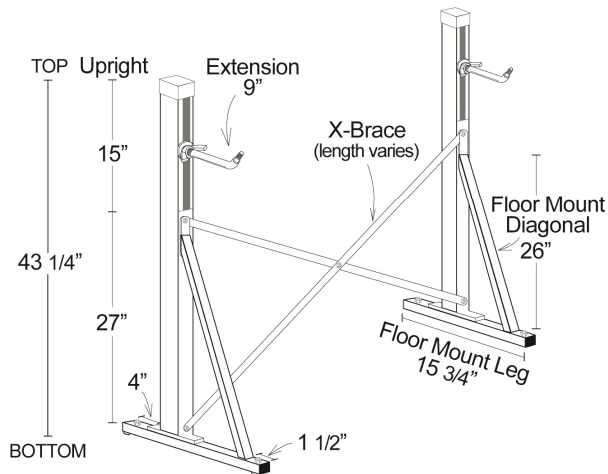


FLOOR MOUNT 98 '65 @ H'65 F SPECIFICATIONS

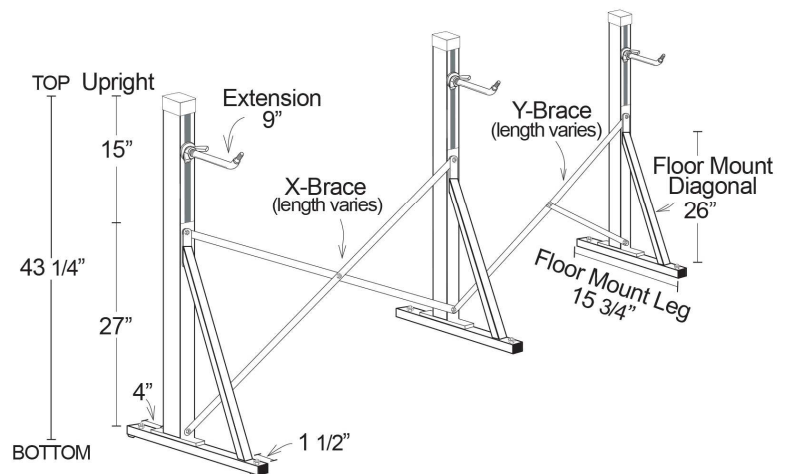
(For 4', 6', 8' & 10' Barres)

ALL DIMENSIONS ARE APPROXIMATE



(For 14' & 16' Barres)

ALL DIMENSIONS ARE APPROXIMATE



Our Floor Mount Units are strong, sturdy, durable, easily adjustable, and permanent. They have cross stabilizers that reduce wobbling and allow the barre approximately 31" – 45" of height adjustment. Each barre can be on opposite sides of the unit, or on the same side.

The FM Legs, Diagonals and Uprights are made of steel with a bright chrome finish and the X and Y-Braces are made of steel with a high gloss white finish. The caps on the top of the Uprights are white.

It can convert into a Floor Mount Unit For Two Barres by adding a purchased Extension Units and an additional barre (Ballet Barre not included).

They include bolts, square nuts, wing nuts and washers. Lag Bolts are included; however they may not be appropriate for all types of floor installations.

SPACING FOR BRACKETS (STANDARD BARRES)

The standard spacing for brackets are designed for Traditional Ballet use.

Barres used for ballet are generally used for balance only

4' Barre: 2 brackets spaced 32" apart (8" overhang)
6' Barre: 2 brackets spaced 48" apart (12" overhang)
8' Barre: 2 brackets spaced 64" apart (16" overhang)
10' Barre: 2 brackets spaced 80" apart (20" overhang)

14' Barre: 3 brackets spaced 64" apart (20" overhang)
16' Barre: 3 brackets spaced 80" apart (16" overhang)

A
CFW Flooring, Inc.
Company

CFW Flooring, Inc. 38325 6th St. East, Palmdale, CA 93550

Web: http://cartwheelfactory.com/ballet_bars.html

Email: sales@cartwheelfactory.com