

A
CWF Flooring, Inc.
Company

38325 6th Street East

Palmdale, CA 93550 USA

Telephone 1-661-273-8700 Fax 1-661-885-8300

http://cartwheelfactory.com/ballet_bars.html#brackets

Email: Sales@CartwheelFactory.Com

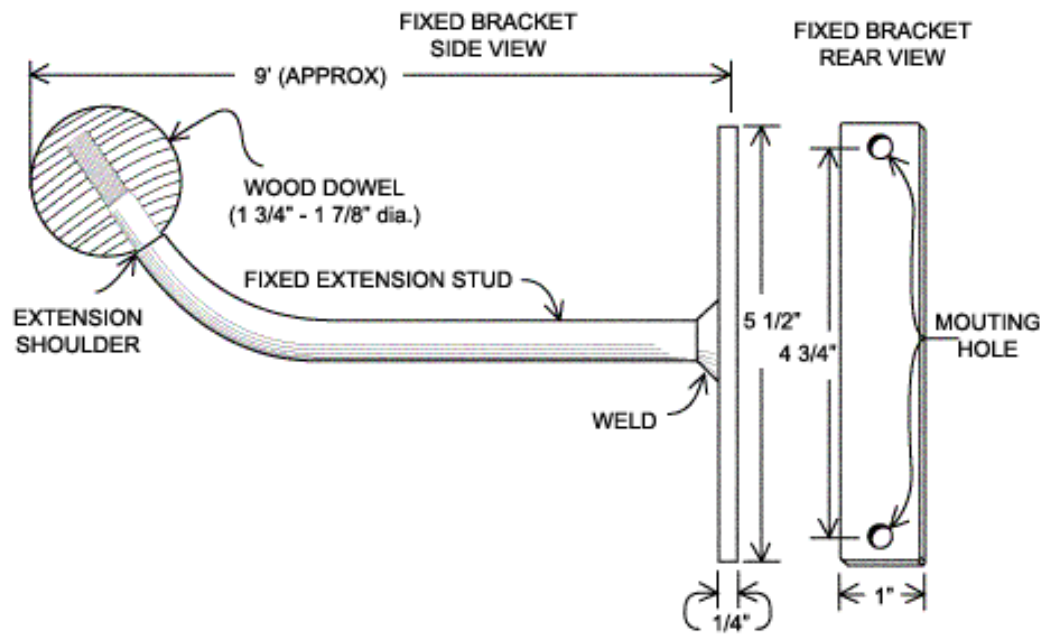
Metal Ballet Bar Brackets

Fixed-Non Adjustable and Adjustable Brackets





Chrome Ballet Bar Brackets





Black Bracket with Silver Specks / Silver Bracket with Black Specks



Antique Bracket



White Bracket with Square Chiseled Edges

**Back Plate: 1" wide x 4-7/8" tall x 1/4" thick.
Extention Arm: Approx. 9"**



Black Smooth Bracket with Round Extension Arm.



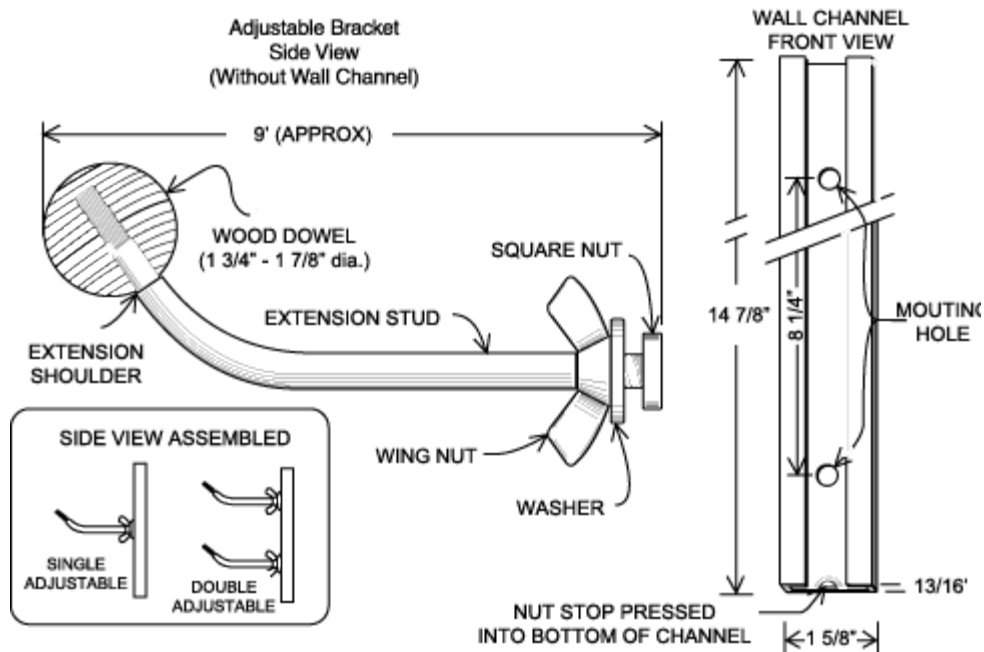
Gold (mustard) Ballet Bar Bracket with Square Chiseled Edges.



Single Adjustable Chrome Ballet Bar Bracket



Double Adjustable Chrome Ballet Bar Bracket



A
CWF Flooring, Inc.
Company

38325 6th Street East
Palmdale, CA 93550 USA

Telephone 1-661-273-8700 Fax 1-661-885-8300

http://cartwheelfactory.com/ballet_bars.html#brackets

Email: Sales@CartwheelFactory.Com