

Ballet Bars

Wall Mounted

Three styles of ballet bars from which to choose

non-adjustable single

non adjustable double (two non-adjustable single bars placed one above the other)

adjustable/ removable single.

Available in five standard lengths: 4', 6', 8', 10' and 14'



Cartwheel Factory's Single Adjustable Ballet Bar



Cartwheel Factory's Double Adjustable Ballet Bar



Poplar

Red Oak

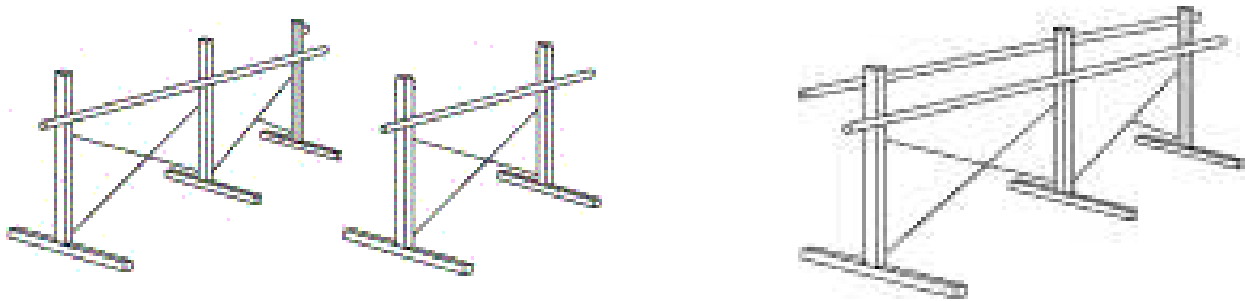
Maple

4' Barre with 2 fixed brackets (32" spacing)	6' Barre with 2 fixed brackets (48" spacing)
8' Barre with 2 fixed brackets (64" spacing)	10' Barre with 2 fixed brackets (80" spacing)
14' Barre with 3 fixed brackets (64" spacing)	4' Barre with 2 adjustable brackets
6' Barre with 2 adjustable brackets	8' Barre with 2 adjustable brackets
10' Barre with 2 adjustable brackets	14' Barre with 3 adjustable brackets
16' Barre with 3 adjustable brackets	10' Barre with 2 double/adjustable brackets
4' Barre with 2 double/adjustable brackets	14' Barre with 3 double/adjustable brackets
6' Barre with 2 double/adjustable brackets	16' Barre with 3 double/adjustable brackets
8' Barre with 2 double/adjustable brackets	

Free standing/Portable
(Adjustable)

Completely independent adjustment design permits dancer on either side to set bar to preferred height (31" to 45") We feel this is the strongest, best braced and most easily adjustable portable ballet bar you can buy. Disassembles (without tools!) in about a minute and can be transported in even a small car. Choose from 5 barre lengths; one barre on each side. All wood barres are shipped in individual cardboard tubes and are hand-sanded without a liquid finish. Made in USA

4' Free-standing unit with barres on both sides	4' Free-standing unit with barre on one side
6' Free-standing unit with barres on both sides	6' Free-standing unit with barre on one side
8' Free-standing unit with barres on both sides	8' Free-standing unit with barre on one side
10' Free-standing unit with barres on both sides	10' Free-standing unit with barre on one side
14' Free-standing unit with barre on both sides	14' Free-standing unit with barre on one side
16' Free-standing unit with barre on both sides	16' Free-standing unit with barre on one side



Fir, Oak, and Maple Wood Ballet Bars (bars only)

Note: Wood bars are unfinished without stain or varnish. Made of natural wood.

FIR 1-7/8" dia. - OAK 1-3/4" dia - MAPLE 1-3/4" dia
4', 6', 8', 10', 14' 16' Ballet bar only

Chrome and Brass Ballet Bar Brackets

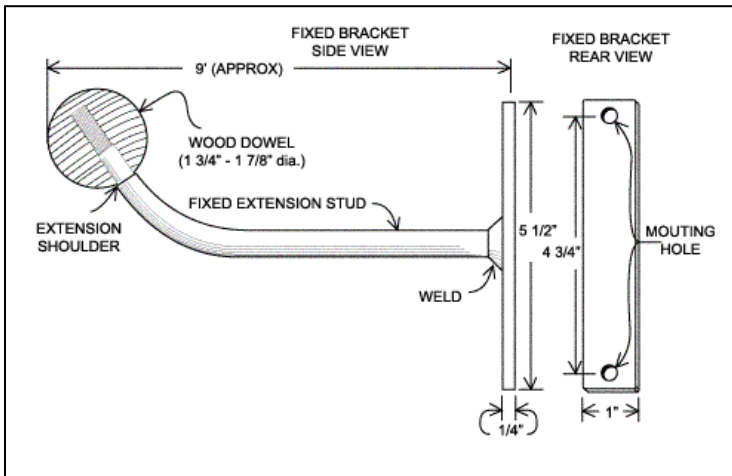
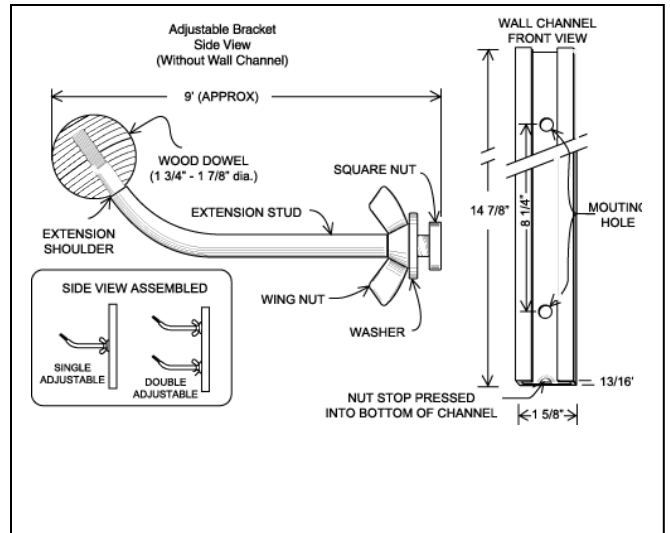
These Adjustable Ballet Barre steel Brackets are very sturdy and weigh 2 1/2 lb. each

(Double adjustable weigh 3 1/2 lb.)

They have a bright chrome finish. They come with #12 x 2" flat head screws.

Wall channel allows approximately 14" of adjustment.

Bar is not perfectly round. Wood: Douglas fir. [Wood info](#)



Fixed ballet bar brackets, aka, non-adjustable brackets are made of chrome or brass plated steel.

They have a bright chrome finish.



These Fixed Height Ballet Barre Brackets are very sturdy and weigh 1 lb. each. They come with #12 x 2" flat head screws.

4' Barre	2 brackets spaced 32" apart (8" overhang)
6' Barre	2 brackets spaced 48" apart (12" overhang)
8' Barre	2 brackets spaced 64" apart (16" overhang)
10' Barre	2 brackets spaced 80" apart (20" overhang)
14' Barre	3 brackets, 1 centered with 64" space on each side (20" overhang)
16' Barre:	3 brackets, 1 centered with 80" space on each side (16" overhang)

There is a 96" maximum span between brackets on 1 3/4" - 1 7/8" diameter Barres.

Minimum overhang is 2".

Maximum overhang is 20".

Bolshoi Antique Ballet Bar Brackets

Add an antique appearance to your dance studio, school or home dance room with CWF Flooring, Inc's. Bolshoi Antique Ballet Bar Brackets.

Add an image of history & experience to your dance school with the Bolshoi Antique Ballet Non-Adjustable (fixed) Bar Brackets.

Brackets are popular with dance studios who desire a bit of nostalgia.

