

The following installation instructions are a recommendation but are not intended as a definitive project specification. They are presented in an attempt to be used with recommended installation procedures as published by the Tile Council of America and specified in the American National Standards Institute.

SUBFLOOR

1. Subfloor should be properly sloped, and structurally sound, level and clean. A good grade plywood that does not exceed deflection of L/360 of span including live and dead loads should be used.

2. All subfloor work should be in accordance with the recommended installation procedures as published by the Tile Council of America and specified in the American National Standards Institute.

PERIMETER ISOLATION BARRIER

1. Install a precut 3" wide, 6mm thick perimeter isolation barrier vertically around the perimeter of the entire floor including any openings or protrusions such as electrical boxes, heating ducts, cold air returns, columns or pipes in the sub-floor installation. The perimeter isolation barrier **must** be installed prior to AcoustiCORK underlayment being installed.

2. After positioning, press the isolation barrier firmly into place at all wall or vertical partitions surrounding the perimeter areas using AcoustiCORK underlayments.

3. Never mechanically fasten the isolation barrier with screws, nails or staples as this will severely diminish the acoustical values of the entire sound rated floor system.

4. After the floor is installed and grouted, trim the isolation barrier 1/4" below the finished floor surface.

5. Caulk the trimmed areas with a bead of non-hardening acoustical sealant flush to the finished floor.

ACOUSTICORK UNDERLAYMENTS

1. Cut 6mm Acousticork underlayment to desired length and install directly over the subfloor with crown of the rolled material down (label side down). The temporary curl of the material will easily flatten out after the material has been glued and rolled.

2. Butt the cork directly against the isolation barrier already installed.

3. Joints should be butted together tightly and taped with duct or fiberglass mesh tape. It is not recommended that the Acousticork be glued to the subfloor. **Never mechanically fasten the cork to the floor as this will severely diminish the acoustical value of the cork.**

4. After completion, cork should cover the entire flooring area without gaps and with joints securely taped.

5. Cover the Acousticork with either 15# felt or 4mil polyethylene film, to act as a cleavage membrane. Tape the joints of the membrane together with fiberglass mesh tape and tape the edges of the membrane tight to the wall so as to eliminate any mortar from penetrating the AcoustiCORK or the subfloor.

MORTAR SETTING BED

1. Install a minimum depth of 1-1/4" thick mortar setting bed in accordance with ANSI A108.1.

CERAMIC TILE

1. Follow manufacturers recommended instruction for installation of finished floor tile conforming to ANSI A108.1 A, B, C and A108.4 or A108.5 depending upon method of installation.

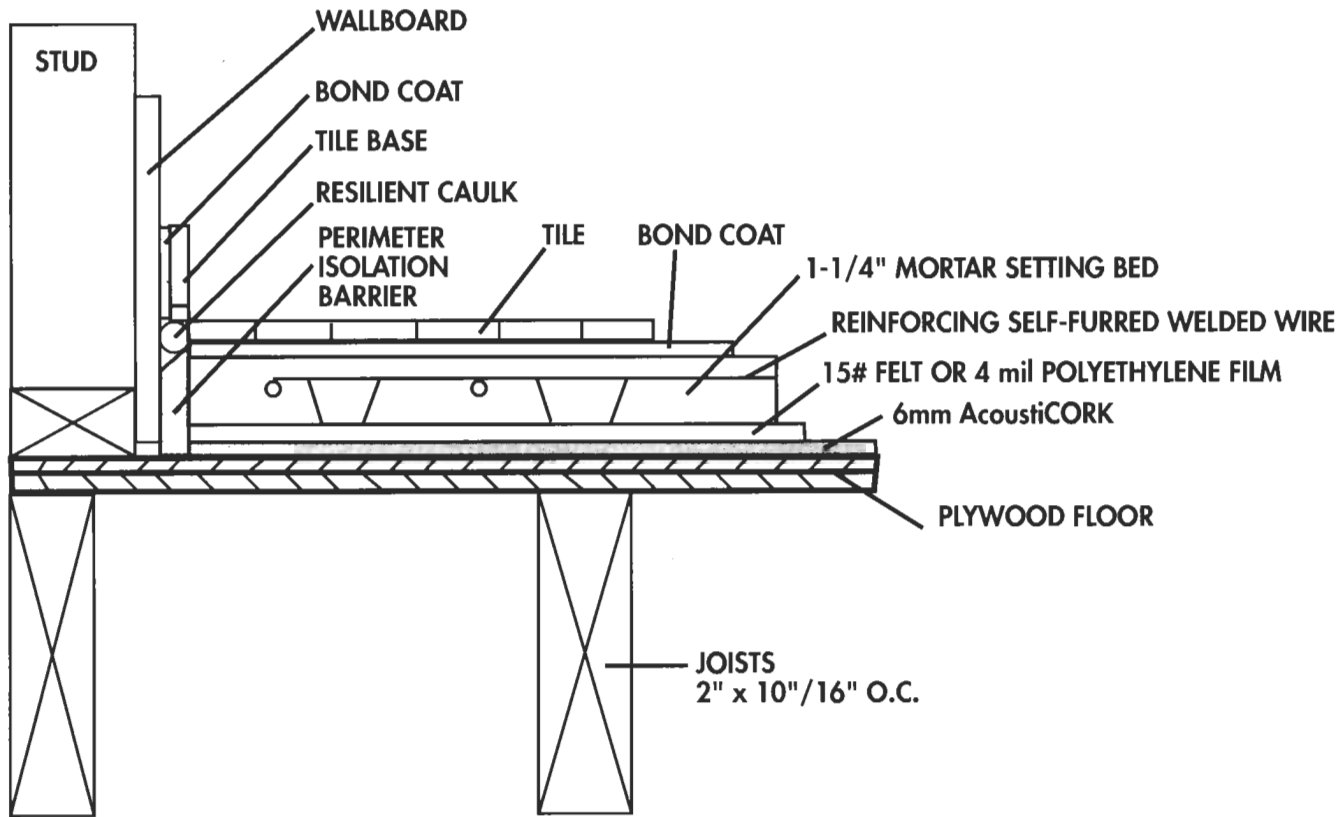
2. After the tile floor is installed and grouted, visually inspect and remove, where necessary, any excess mortar, bond coat or grout that is in contact with the walls or any protrusions in the floor. Failure to do so will greatly diminish the acoustical value of the system.

3. Trim the isolation barrier 1/4" below the finished floor surface prior to the caulking of the perimeter joint.

4. Caulk the trimmed areas with a bead of non-hardening acoustical sealant, flush to the finished floor. It is imperative that grout not be used to fill the trimmed area as this will act as a conductor of noise from room to room.

5. If a baseboard is used, leave a minimum 1/8" gap between the finished floor and the bottom of the baseboard. If cove base is used, a non-hardening acoustical sealant should be used to fill the grout joint between the last row of floor tile and the base.





NOTE: NOT DRAWN TO SCALE

Tile Floors over 1-1/4" Mortar Setting Bed on a Wood Floor

